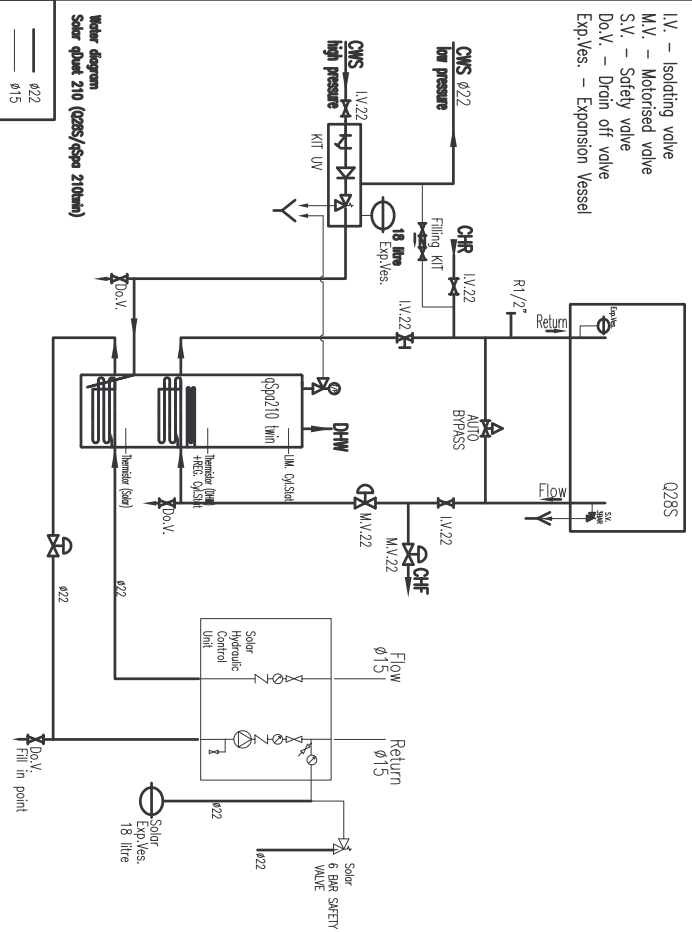


- I.V. – Isolating valve
- M.V. – Motorised valve
- S.V. – Safety valve
- Do.V. – Drain off valve
- Exp.Ves. – Expansion Vessel



AIR-GAS & FLUE CONNECTIONS LIST

Name	Dimension
Air inlet	$\phi 56 / \phi 78$
Flue exhaust	$\phi 56 / \phi 78$
Gas inlet	G 1/2"

WATER CONNECTIONS LIST

Name	Function	Dimension
CHF	System flow	$\phi 22$ compress.coupling
CHR	System return	$\phi 22$ compress.coupling
CMS hp	Water inlet	$\phi 22$ compress.coupling
CMS lp	Water low press.	$\phi 22$
DHW	Domestic hot water	$\phi 22$
SF	Solar flow	$\phi 15$
SR	Solar return	$\phi 15$
C1	Condens. drain off	$\phi 21.3$
C2	Pressure valve discharge	2x $\phi 22$ (via tundish)
C3	Solar pressure valve discharge	$\phi 22$

KESTON

Qudos Solar DUET 210

Duet Q28s-qSpa210 Twin