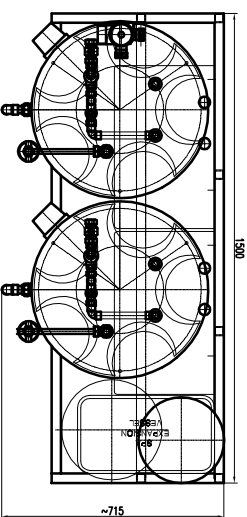
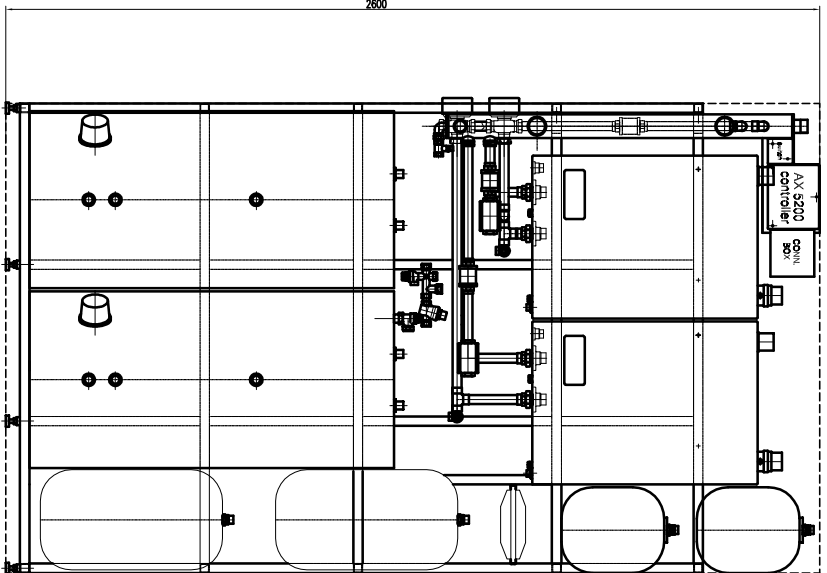
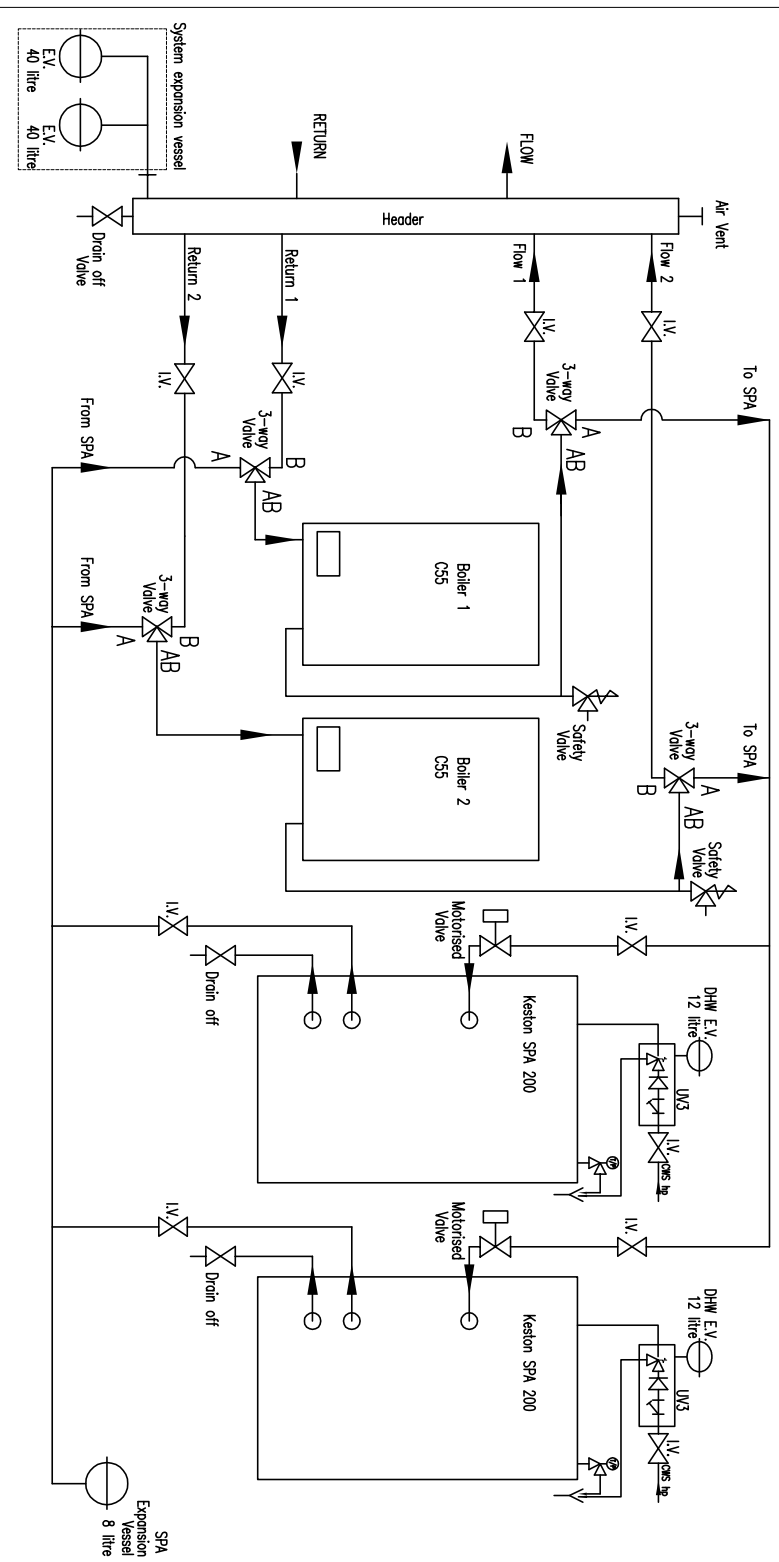


WATER DIAGRAM



KESTON
 ZMC55 TOP-ZSPA200 BOTTOM-4LH HORIZONTAL WATER-2x40L 8L SUPERPOSED
ZMC55 + ZSPA200
 Date: 02.09.2005
 ZMC55+ZSPA200 FLOOR PLAN

- 2 x CSS
 - GH HEADER
 - 2 x SPA200
 - (+ DHW EXPANSION VESSELS)
 - SYSTEM EXPANSION VESSEL
 - SPA EXPANSION VESSEL
 - DIVERTER VALVES
- SUPERPOSED**