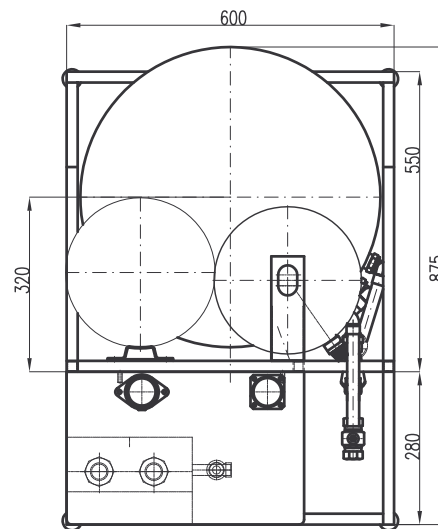


AIR-GAS & FLUE CONNECTIONS LIST

Name	Dimension
Air inlet	\varnothing_{ext} $\varnothing 56 / \varnothing 78$
Flue exhaust	\varnothing_{ext} $\varnothing 56 / \varnothing 78$
Gas inlet	G 1 1/2"

WATER CONNECTIONS LIST

Name	Function	Dimension
CHF	System flow	$\varnothing 22$ compress.coupling
CHR	System return	$\varnothing 22$ compress.coupling
CWS hp	Water inlet	$\varnothing 22$ compress.coupling
CWS lp	Water low press.	$\varnothing 22$
DHW	Domestic hot water	$\varnothing 22$
SF	Solar flow	$\varnothing 15$
SR	Solar return	$\varnothing 15$
C1	Condens. drain off	$\varnothing 21.3$
C2	Pressure valve discharge	2x $\varnothing 22$ (via tundish)
C3	Solar pressure valve discharge	$\varnothing 22$



SCHEMATIC PIPE CONNECTIONS

Qudos Solar DUET 210